

INSIDE

Schneider Electric

⚠ DANGER / ОПАСНО / PELIGRO / PERIGO

HAZARD OF ELECTRIC SHOCK, EXPLOSION, OR ARC FLASH
Disconnect all power before servicing equipment.
Failure to follow these instructions will result in death or serious injury.

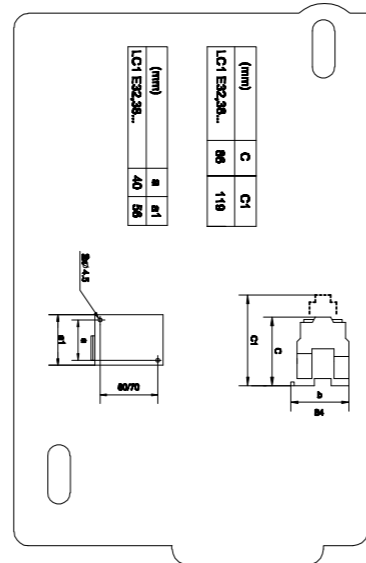
Опасность поражения электрическим током, опасность взрыва или вспышки дуги.
Перед обслуживанием или ремонтом убедитесь, что питание отключено.
Несоблюдение этих инструкций приведет к смерти или серьезной травме.

PELIGRO DE DESCARGA ELECTRICA, EXPLOSION O ARCO ELECTRICO
Desconecte todas las alimentaciones antes de manipular el producto. Si no se siguen estas instrucciones provocará lesiones graves o incluso la muerte.

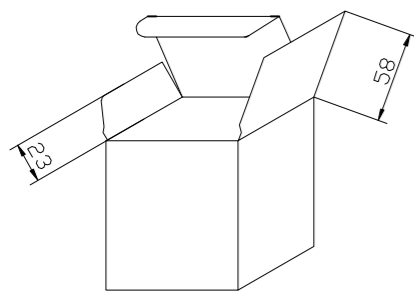
RISCO DE ELECTROCUSSÃO, DE EXPLOSAO, OU DE ARCO ELECTRICO
Desconecte todas as alimentações antes de manipular o produto. A não observância destas instruções resultará em morte, ou ferimentos graves.

LC1E32...
LC1E38...

LC1-E32/38		
1...10	[mm]	Phillips # 2
1.5...2	[mm]	
2.5...10	[mm]	2/8
3...10	[mm]	
4...10	[mm]	
1.5...10	[mm]	
1.5...10	[mm]	
2.1	[Nm]	
L	[mm]	
S	[mm]	



Schneider Electric Industries SAS
35, rue Joseph Monier
92506 Rueil Malmaison
France



内径: 84x57x90 ±2mm

技术要求

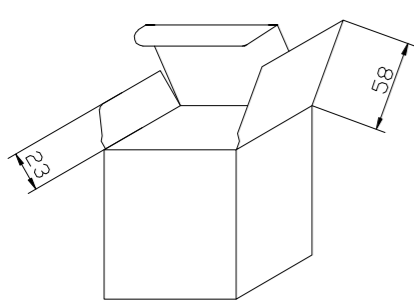
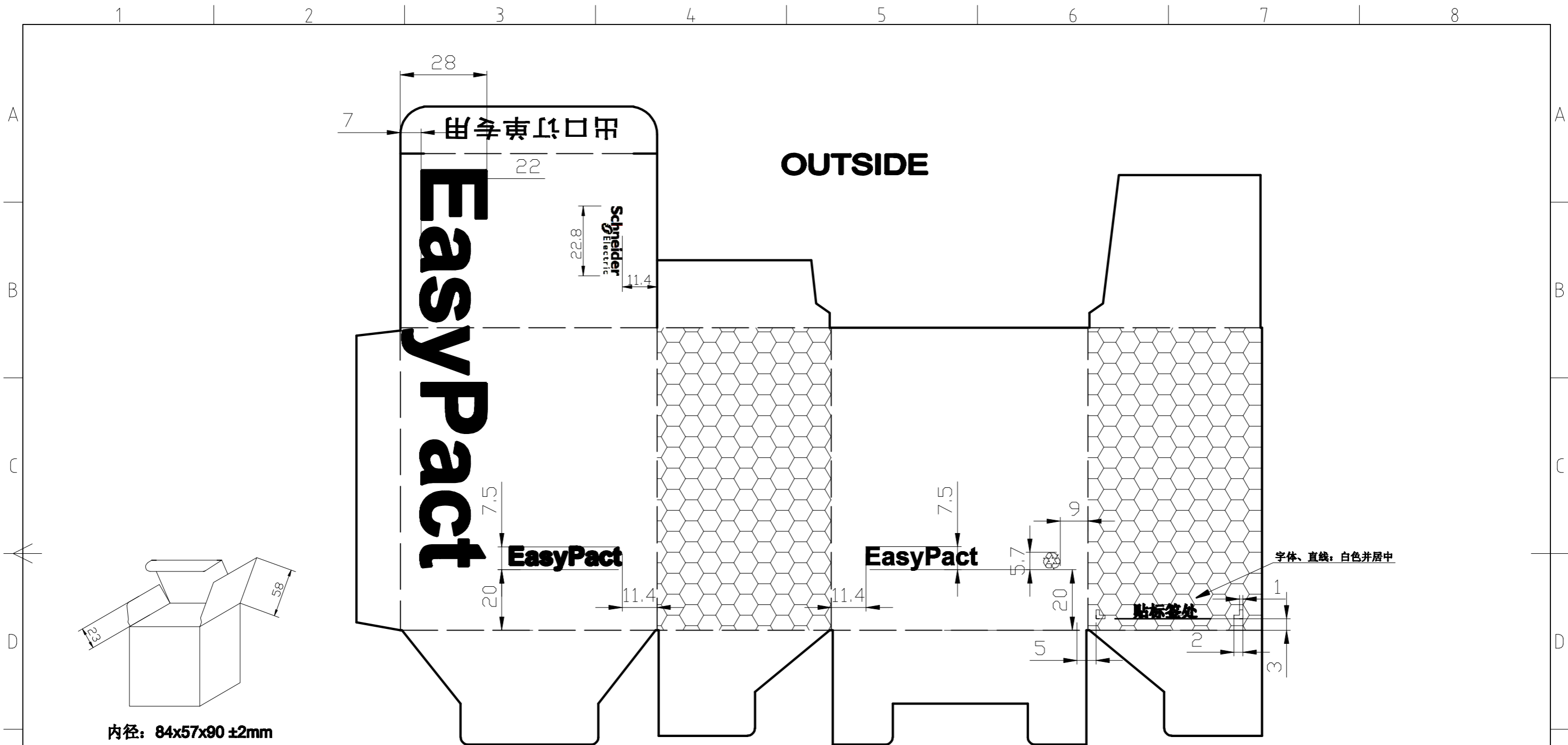
图示内容印在盒子的内部。

Rev.	Date	Modif.Note	Modified by	Modification
02	15/04/2016	AN410530	S.KARTHIK	Add Schneider Electric address into Instruction Sheet..
01	19/12/2012	AN277679	LCY	Add descriptive pictures into inside box.
00	30/09/2012	AN265348	LCY	Creat & cancel S1A53811(Change TeSys E to EasyPact TVS).

Material: 400克进口涂料白板纸 (面白, 里灰, 外表面上覆光)		Scale:	Tolerancing Standard:	Units of measure: millimeter
		PACKAGING BOX FOR LC1E32~38 GLOBAL		
		Number:	HRB5005701	Revision: 02 Sheet: 1/2

The information is highly confidential and is the exclusive property of Schneider Electric Group. Copyright reserved. This drawing must not be used for any purpose other than that expressly permitted in writing by the owners and must not be disclosed or reproduced in any way without permission from the owners in writing. This drawing must be returned to the owners when the purpose has ceased.

State:



内径: 84x57x90 ±2mm

备注:

- 1, ——— 切割线
- 2, - - - - 折弯线
- 3, 图中填充部分: 绿色印刷 (Pantone 355C)
其余部分: 白色
- 4, 所有字体: Arial加粗;
所有字体颜色 (包括施耐德 logo): 绿色印刷 (Pantone 355C).

Material: 400克进口涂料白板纸 (面白, 里灰, 外表面上哑光)			
	Scale:	Tolerancing Standard:	Units of measure: millimeter
		PACKAGING BOX FOR LC1E32~38 GLOBAL	
		Number: HRB5005701	Revision: 02 Sheet: 2/2
<small>The information is highly confidential and is the exclusive property of Schneider Electric Group. Copyright reserved. This drawing must not be used for any purpose other than that expressly permitted in writing by the owners and must not be disclosed or reproduced in any way without permission from the owners in writing. This drawing must be returned to the owners when the purpose has ceased.</small>		State:	